

Ecaccess Gateway, Tools and ectrans

Dominique Lucas
User Support
advisory@ecmwf.int

Content

- ECaccess concepts
- Ecaccess tools
- Ectrans
- Tutorial

ECaccess - Concepts

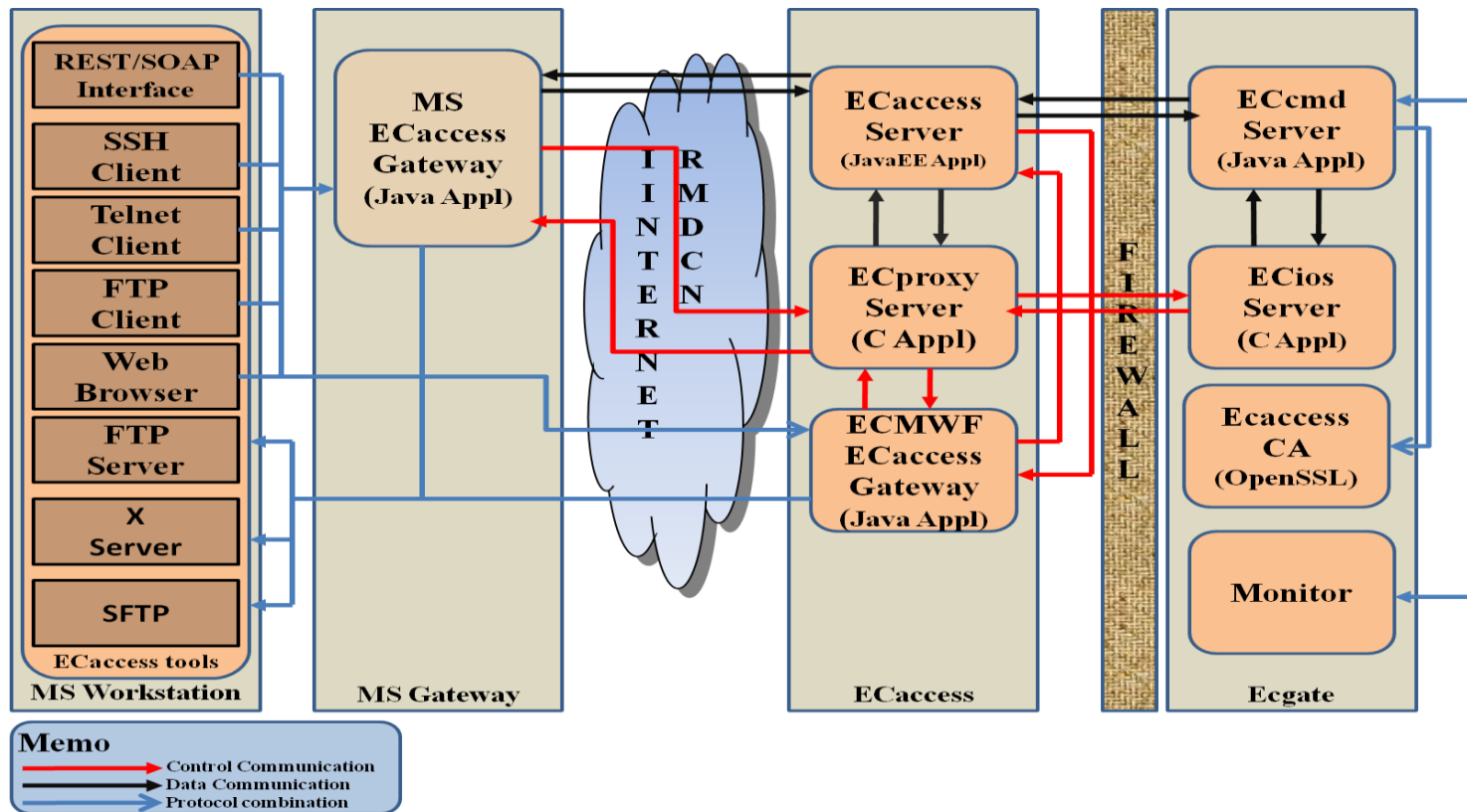
- ECaccess provides a portal to access ECMWF archiving and computing facilities.
- Strict authentication via ActivIdentity tokens and X509 certificates.
- Data integrity/confidentiality guaranteed by SSL

ECaccess - Concepts

- ECaccess provides:
 - File and job management in batch or interactive mode through an extended FTP/SFTP server
 - File and job management through a Web browser
 - A secure ssh access to ECMWF
 - A secure X11 access to ECMWF
 - Various services via the web.
- All this via Internet or RMDCN.

ECaccess - Architecture

- Multiple tears
 - ECaccess Client, ECaccess Gateway, ECaccess Server, ECaccess ecgate



ECaccess - Architecture

- ECaccess client
 - Standard FTP, SFTP, SSH, HTTP/S or NX clients
 - Standard X Server (not needed for NX) and FTP Server
 - ECaccess tools - new (4.0.0) and old versions (3.3.0)
- ECaccess gateway
 - Entry point for all ECaccess users
 - Verifies ECaccess users authentication (certificates or passcodes)
 - Implements FTP/SFTP and HTTP/S protocols
 - Secure tunnels through firewalls to ECaccess Server
 - Either local ECaccess gateway installed at your site OR
 - Gateways located at ECMWF: ecaccess.ecmwf.int for Internet and msaccess.ecmwf.int for RMDCN

ECaccess – Architecture

- ECaccess Server
 - Located at ECMWF: ecaccess.ecmwf.int or msaccess.ecmwf.int
 - Entry point for all ECaccess gateways
 - Keeps track of users activity
- ECaccess ecgate
 - Runs the ECaccess Certificate Authority (CA)
 - Provides job management through SLURM (ecgate) or PBS (cca)
 - Provides access to home, scratch, ECFS and host filesystems
 - Keeps job input, output and error files
 - Manages spool for unattended file transfers

ECaccess – local (MS) gateways

- Use local ECaccess gateways if installed
- Internet ECaccess gateways available at most NMSs and at several other sites (43 gateways in total at 26 sites)
- 11 ECaccess Gateways at 5 sites available over RMDCN
- If local ECaccess gateway is not available, then use ECMWF gateways ecaccess.ecmwf.int (Internet) or msaccess.ecmwf.int (RMDCN)

ECaccess Web Toolkit

- These tools must be installed at your end on each platform for which access to ECMWF services are required.
- Two versions available at the moment
 - Version 4 has been available for more than 3 years
 - Version 3 no longer available but still supported.
 - Version 4 of the tools requires version 4.0.0 of gateway to be installed
 - Check with your administrator
 - You can use ECMWF gateways in the meantime
- ECaccess Web Toolkit are also available on ECMWF computers.

Getting a certificate

```
{mshost}$ eaccess-certificate-create
Please enter your user-id: tr?
Your passcode: *****
```

```
{mshost}$ eaccess-certificate-list
submitJob          168h      Mar 11 11:25      job submission
getJobList         168h      Mar 11 11:25      job list
deleteJob          168h      Mar 11 11:25      delete a job
...
```

- Certificate valid for 7 days, but this can be extended for special requirements.
- Certificate only needed for file, job and transfer management, NOT required for unattended transfers (see later - ectrans).
- Certificate not needed for ECMWF local use of ECtools.

ECaccess File Management

<code>ecaccess-file-chmod</code>	Change ECaccess File Mode Bits
<code>ecaccess-file-copy</code>	Copy an ECaccess File
<code>ecaccess-file-delete</code>	Remove an ECaccess File
<code>ecaccess-file-dir</code>	List ECaccess Directory Contents
<code>ecaccess-file-get</code>	Download an ECaccess File
<code>ecaccess-file-mget</code>	Download Multiple ECaccess Files at once
<code>ecaccess-file-mkdir</code>	Make a Directory on the ECaccess File System
<code>ecaccess-file-modtime</code>	Show the Last Modification Time of an ECaccess File
<code>ecaccess-file-move</code>	Move or Rename ECaccess Files
<code>ecaccess-file-mput</code>	Upload Multiple Local Files at once
<code>ecaccess-file-put</code>	Upload a File on the ECaccess File System
<code>ecaccess-file-rmdir</code>	Remove a Directory on the ECaccess File System
<code>ecaccess-file-size</code>	Show the Size of an ECaccess File

ECaccess Job Management

- With the Ecaccess Web Toolkit, you can submit shell scripts and batch command files to the batch systems on ecgate and the HPCs

<code>ecaccess-job-delete</code>	Delete an ECaccess Job
<code>ecaccess-job-get</code>	Download a Job Output/Input/Error File
<code>ecaccess-job-list</code>	List all ECaccess Jobs
<code>ecaccess-job-restart</code>	Restart an ECaccess Job
<code>ecaccess-job-submit</code>	Submit a new ECaccess Job
<code>ecaccess-queue-list</code>	List available queues

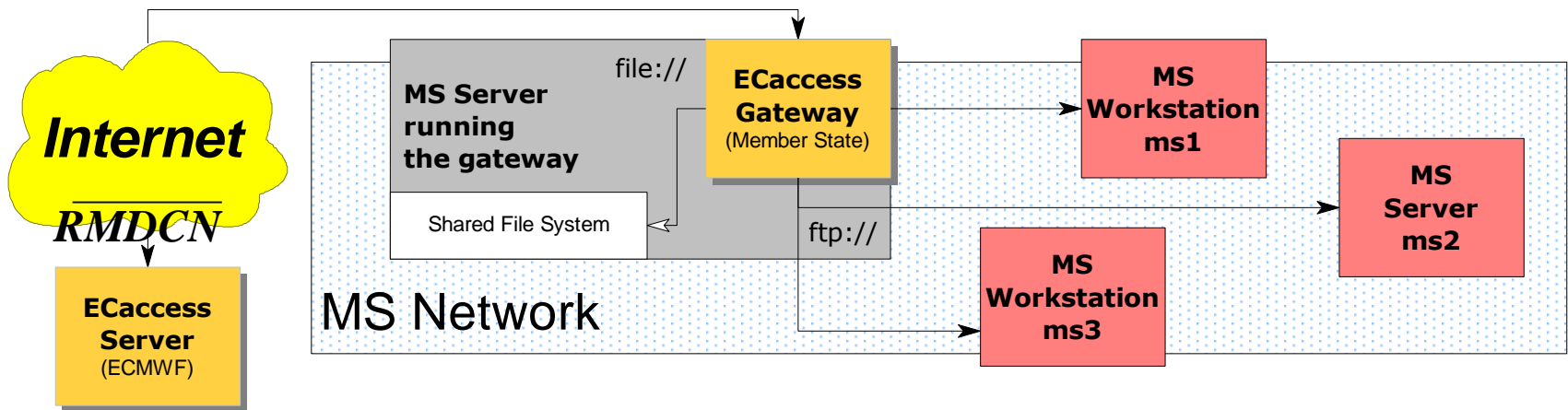
- If you submit a shell script, you will have to use the option “-noDirectives” which will add some default batch directives.

Data transfers - ectrans

- Unattended file transfers
- Automatic retrial on failure
- Synchronous or asynchronous
- Downloads or uploads
- Secured transfers using ftp or sftp
- Ectrans associations can be set up for various destinations
- Association name is unique on each gateway
- Association has to be created on the particular gateway in use
- Email notification
- Transfers are always initiated from ECMWF

ectrans Command

- It is preferable to use your local ECaccess gateway (if available). Alternatively use the gateway at ECMWF.



**ecgate or
cca/ccb:**

```
$ ectrans -gateway ecaccess.ecmwf.int \  
-remote association[@protocol] \  
-source [location/]filename \  
[-target [location/]filename]
```

Association and Transfer Management

<code>ecaccess-association-delete</code>	Delete Association
<code>ecaccess-association-get</code>	Get the Association Descriptive File
<code>ecaccess-association-list</code>	List your ECtrans associations
<code>ecaccess-association-protocol</code>	List the supported ECtrans Protocol
<code>ecaccess-association-put</code>	Update/Create an Association
<code>ecaccess-ectrans-delete</code>	Delete ECtrans
<code>ecaccess-ectrans-list</code>	List all ECtrans transfers
<code>ecaccess-ectrans-request</code>	Request a new ECtrans transfer
<code>ecaccess-ectrans-restart</code>	Restart an existing ECtrans transfer

ectrans – Association Maintenance

- ECtrans associations can be generated with
 - New ECtools: `ecaccess-association-put`
 - ECaccess gateway web interface
- Creation and use of an association template using new

```
{mshost}$ ecaccess-association-get -template assoc assoc.txt
```

```
{mshost}$ $EDITOR assoc.txt          # EDIT your template
```

```
{mshost}$ ecaccess-association-put -password assoc.txt
```


ectrans – Association Web Maintenance

ECMWF gateway service > Ectrans > Setup - Microsoft Internet Explorer

File Edit View Favorites Tools Help

Back Forward Stop Home Search Favorites Media Print Mail

Links >>

ECMWF gateway service > Ectrans > Setup

Browsing

- [EChome files](#)
- [ECscratch files](#)
- [ECfs files](#)

Queues/Jobs

- [Browse queues](#)
- [Browse basket](#)
- [Submit new job](#)

Monitoring

- [Job submissions](#)
- [File transfers](#)
- [Browse history](#)

Access methods

- [ECtrans setup](#)
- [Set certificate](#)
- [Log on user](#)

Your ECMWF account.

Dominique Lucas,x2386

Login : usl
 User id : 1107
 Group id : 1212
 Home directory : /home/us/usl

Your Ectrans configuration.

Access methods associated with ECMWF user usl

Name	Comment	Enabled
List of ECtrans associations		
No ECtrans associations.		
Total: 0		
List of ECtrans destinations		
	▶ genericFile	file true
	▶ genericFtp	ftp true
	▶ genericSftp	sftp true
Total: 3		

ECtrans

From your ECMWF account (ECuser usl), you can use Ectrans to perform unattended file transfers to or from (one of) your local (Member State) account(s). You need to create associations with these MSusers.

Access methods

The access method needs to be specified in the "-remote" option of the "ectrans" command in the format association@destination where "association" specifies the ECtrans association and "destination" specifies the ECtrans destination.

Managing ECtrans associations

Click the expand button to the left of an ECtrans

Done Internet

ectrans – Association Web Maintenance

The screenshot shows a web browser window titled "ECMWF gateway service > ECtrans > Create - Microsoft Internet Explorer". The page is titled "MS user association details." and contains several sections:

- MS user to be associated:** A form with fields for "Association name" (set to "from_ecmwf"), "Host name" (set to "host.meteo.ms"), "Directory" (set to "ers/my_id/from_ecmwf"), "Default destination" (set to "genericFtp"), and "Comment".
- Complementary information:** A section titled "Please use the data content editor:" containing a text area with the following configuration text:

```
ectrans.sizeTimeOut="30000"  
ftp.commTimeOut="60000"  
ftp.dataTimeOut="60000"  
ftp.lowPort="no"  
ftp.mkdirs="yes"  
ftp.passive="yes"  
ftp.portTimeOut="60000"  
ftp.prefix=""  
ftp.suffix=".tmp"  
ftp.usetmp="no"
```
- Login information:** A form with "Login" (set to "my_local_ID") and "Password" (masked with asterisks) fields.

At the bottom of the form is a button labeled "Create this MS user".

On the right side of the browser window, there are three informational panels:

- ECtrans:** From your ECMWF account (ECuser us!), you can use ECtrans to perform unattended file transfers to or from a local (Member State) account(s). You need to create an association with an MS user.
- New MS user to be associated:** ECtrans uses the specified information to perform unattended file transfers to/from your local (Member State) account.
- Complementary information:** This is optional information, which can be used by an ECtrans module for example to perform some extra security check (e.g. certificate).
- Data content editor:** With the "data content editor" you can either enter your text line by line, or

The browser's address bar shows "ECMWF gateway service > ECtrans > Create - Microsoft Internet Explorer". The browser's status bar at the bottom shows "Internet".


ectrans – Association Web Maintenance

ECMWF gateway service > Ectrans > Setup - Microsoft Internet Explorer

File Edit View Favorites Tools Help

Back Forward Stop Home Search Favorites Media Print Mail

Links »

 ECMWF gateway service > Ectrans > Setup

Browsing

- [EChome files](#)
- [ECscratch files](#)
- [ECfs files](#)

Queues / Jobs

- [Browse queues](#)
- [Browse basket](#)
- [Submit new job](#)

Monitoring

- [Job submissions](#)
- [File transfers](#)
- [Browse history](#)

Account usl

- [Ectrans setup](#)
- [Get certificate](#)
- [Log off usl](#)

Your ECMWF account.

Dominique Lucas,x2386

Login : usl
 User id : 1107
 Group id : 1212
 Home directory : /home/us/usl

Your Ectrans configuration.

Access methods associated with ECMWF user usl

<input type="checkbox"/>	Name	Comment	Enabled
<input type="checkbox"/>	from_ectmwf	-	true
Total: 1			

List of Ectrans destinations

	Name	Module	Active
	genericSftp	sftp	true
	genericFtp	ftp	true
	genericFile	file	true
Total: 3			

Add associaton Grant association(s) Delete association(s)

Ectrans

From your ECMWF account (ECuser usl), you can use Ectrans to perform unattended file transfers to or from (one of) your local (Member State) account(s). You need to create associations with these MSUsers.

Access methods

The access method needs to be specified in the "-remote" option of the "ectrans" command in the format association@destination where "association" specifies the Ectrans association and "destination" specifies the Ectrans destination.

Managing Ectrans associations

Click the expand button to the left of an Ectrans association entry to

Done Internet

ectrans – Association Web Maintenance

ECMWF gateway service > Ectrans > DestinationDetails - Microsoft Internet Explorer

File Edit View Favorites Tools Help

Back Forward Stop Home Search Favorites Media Print Copy Paste Links >>

ECMWF gateway service > Ectrans > DestinationDetails

The genericFtp Ectrans destination and your authorized MS users.

Ectrans destination details

Destination name : genericFtp
 Ectrans module name : ftp
 Comment : Generic FTP access from the gateway

Parameter name	Source	Comment
List of parameters		
target	ectrans at ECMWF	-target [location/]target-filename
msuser[login]	gateway database	MS user login
msuser[passwd]	gateway database	MS user password
msuser[dir]	gateway database	MS user directory
msuser[host]	gateway database	MS user host name
Total: 5		
Active destination : true		
Restrict access : false		
Resolve path : true		

Authorized MS users

Name	Comment	Enabled
List of MS users		
from_ecmwf	-	true
Total: 1		

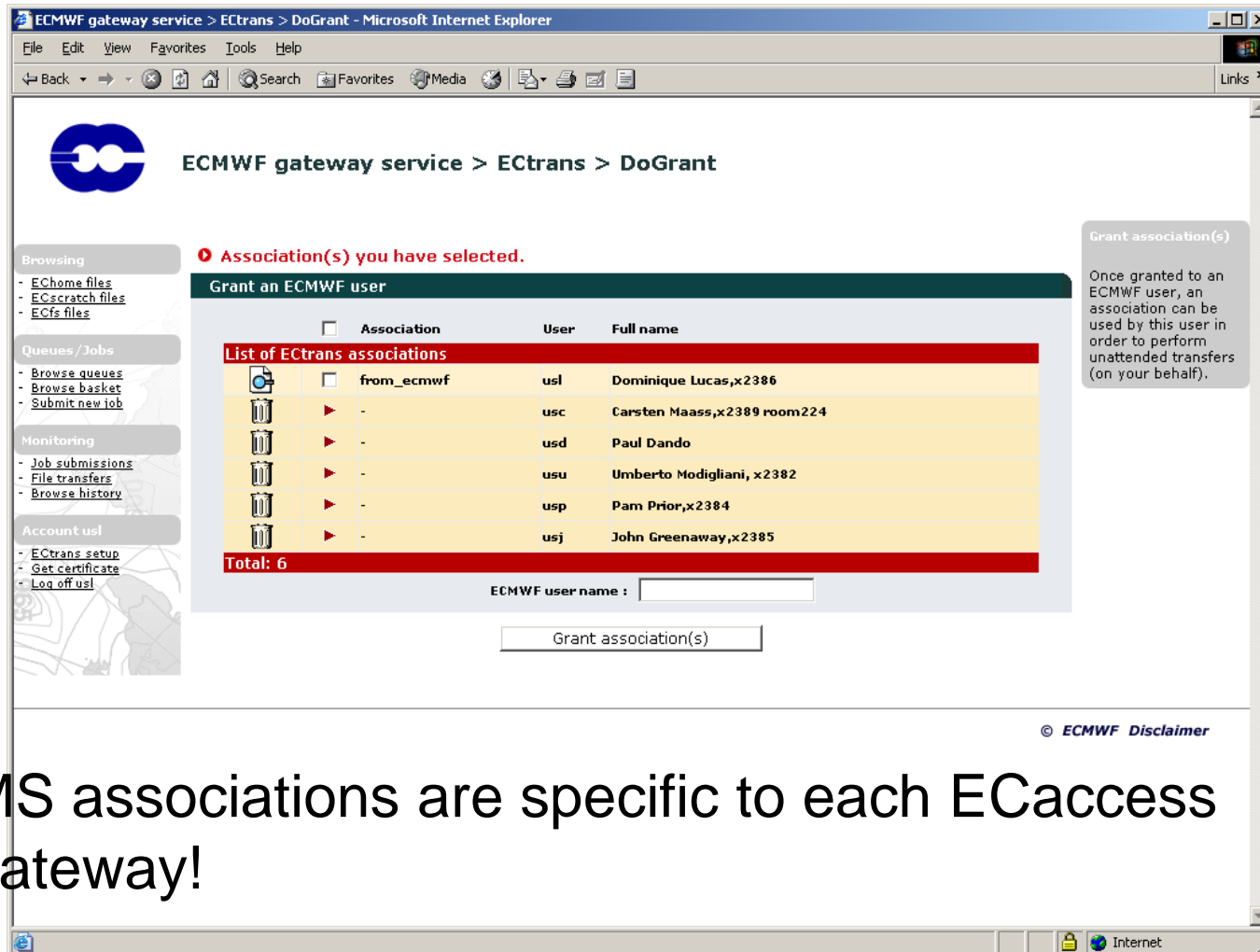
List of parameters
 Ectrans uses the listed parameters and the "ftp" Ectrans module, with which the "genericFtp" destination is associated, to access your local (Member State) account.

Authorized MS users
 All the MS users granted access through the genericFtp Ectrans destination are listed here.

© ECMWF Disclaimer

Done Internet

ectrans – Association Web Maintenance



The screenshot shows a web browser window displaying the ECMWF gateway service interface. The main content area is titled "Grant an ECMWF user" and features a table of associations. A red banner at the top of the table reads "List of Ectrans associations". The table has columns for "Association", "User", and "Full name". Below the table, there is a "Total: 6" summary and an input field for "ECMWF user name". A "Grant association(s)" button is located below the input field. A sidebar on the left contains navigation links for browsing, queues, monitoring, and account management. A tooltip on the right explains that once granted to an ECMWF user, an association can be used for unattended transfers.

Association(s) you have selected.

Grant an ECMWF user

<input type="checkbox"/>	Association	User	Full name
List of Ectrans associations			
<input type="checkbox"/>	from_ecmwf	usl	Dominique Lucas,x2386
<input type="checkbox"/>	-	usc	Carsten Maass,x2389 room224
<input type="checkbox"/>	-	usd	Paul Dando
<input type="checkbox"/>	-	usu	Umberto Modigliani, x2382
<input type="checkbox"/>	-	usp	Pam Prior,x2384
<input type="checkbox"/>	-	usj	John Greenaway,x2385
Total: 6			

ECMWF user name :

Grant association(s)

© ECMWF Disclaimer

Once granted to an ECMWF user, an association can be used by this user in order to perform unattended transfers (on your behalf).

- MS associations are specific to each ECaccess gateway!

ectrans command – at ECMWF

```
{echost}$ ectrans -help
usage: ectrans [-gateway name] -remote association[@protocol] \
              [-get|-put] -source [ec:|ectmp:]filename [args ...]
-gateway      {arg} -   access gateway name (default (**):
                    ecaccess.ecmwf.int)
-remote       {arg} -   association and optional transfer protocol
                    (default (**): *none*)
-source       {arg} -   source file name
-target       {arg} -   target file name (default: same as -source)
-mailto       {arg} -   target email address (default: current user)
-put          -   interactive/synchronous transfer (no spool)
-get          -   interactive/synchronous pull (rather than
                    push) file
-onsuccess    -   mail sent on successful transfer
-onfailure    -   mail sent when transfer has failed
-onretry      -   mail sent when transfer is retried
-verbose      -   verbose mode on
```

ectrans command – at ECMWF

```
{ecgate}$ ectrans -gateway ecaccess.ecmwf.int \  
                -remote from_ecmwf@genericFtp \  
                -source ./data.grib \  
                -target data.grib \  
                -verbose  
  
    echost: ecaccess.ecmwf.int  
    ecport: 644  
    ecuser: us1  
    source: ./data.grib  
    target: data.grib  
    keep  : false  
    option: reject  
    File to upload (585 bytes)  
    10129250216245
```

- Users have to maintain associations on the particular gateway used, via the new ECTools or via the web interface.
- ectrans is available for transfers in both directions.

ECaccess Web Toolkit Transfer Management

- You can also request an ectrans transfer from your site using the ECtools
- In this case the transfer will still be initiated from ECMWF!

```
{mshost}$ ecaccess-ectrans-request -overwrite -onFailure  
-onRetry tr?_assoc ec:testfile.txt
```


ECaccess Transfer Management

```
{mshost/echost}$ ecaccess-ectrans-list
389      STOP      tr00_test  teaccess.ecmwf.int  Mar 09 18:29
387      DONE      tr00_test  teaccess.ecmwf.int  Mar 09 14:39

{mshost/echost}$ ecaccess-ectrans-list 389
  Copyid: 389
  MS user: tr00_test
  Hostname: teaccess.ecmwf.int
  Status: STOP
Last error: Target file already exist
  Schedule: Mar 09 18:29
  Source: /wshome/ectrain/tr00/testfile
  Target: testfile
  File size: 11
```

ECaccess Transfer Management

- Either remove target file from destination and restart OR
- Restart and overwrite target file OR
- Specify different target file name OR
- Delete transfer

```
{mshost/echohost}$ ecaccess-ectrans-restart 389
```

```
{mshost/echohost}$ ecaccess-ectrans-restart -overwrite 389
```

```
{mshost/echohost}$ ecaccess-ectrans-restart -target NEW_NAME 389
```

```
{mshost/echohost}$ ecaccess-ectrans-delete 389
```

ECaccess Pointers

- <http://software.ecmwf.int/wiki/display/ECAC/ECaccess+Home>
 - User's manual
 - ECaccess Web Toolkit/gateway distribution
- <http://old.ecmwf.int/services/ecaccess>
 - Administrator's manual
 - ECaccess gateway registration Centre (only relevant for gateway administrators).